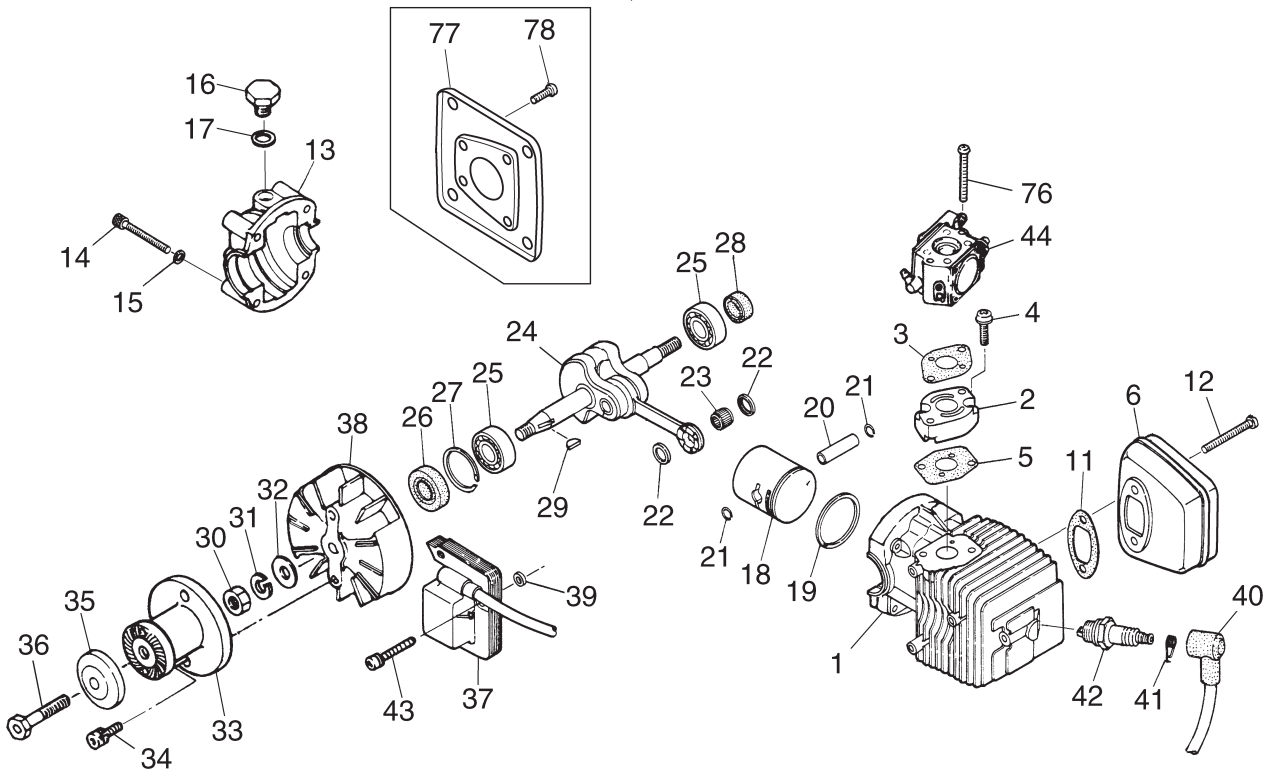


(Standard Accessory
for G380PU)



G380PU, G380PU-1

Index No.	Parts No.	Description	Q' ty /unit	Index No.	Parts No.	Description	Q' ty /unit
1	3378-12111	Cylinder	1	46	2630-81120	• Cover	1
2	3330-14111	Insulator	1	47	3310-81130	• Screw	1
3	3330-14121	Gasket	1	48	3304-81140	• Gasket	1
4	0260-20520	Screw	2	49	1172-81150	• Diaphragm	1
5	3330-14132	Gasket	1	50	3356-81310	• Valve	1
6	2609-15001	Muffler assy	1	51	2850-81290	• Gasket	1
				52	3310-81260	• Diaphragm	1
11	2841-15210	Gasket	1	53	3310-81280	• Cover	1
12	3330-15220	Bolt	2	54	2670-81270	• Spring	1
13	3378-21110	Crankcase	1	55	3310-81240	• Screw	1
14	01252-30540	Bolt	4	56	3310-81250	• Pin	1
15	0292-20510	Washer	4	57	3310-81230	• Lever	1
16	3120-13510	Plug	1	58	1480-81420	• Plug	1
17	3130-13520	Gasket	1	59	3350-81380	• Spring	1
18	3340-41113	Piston	1	60	2630-81330	• Screw	1
19	3340-41211	Ring	1	61	2670-81410	• Spring	1
20	3304-41310	Pin	1	62	2609-81370	• Shaft	1
21	3310-41320	Ring (Circlip)	2	63	2880-81470	• Screw	2
22	1650-41510	Washer	2	64	3356-81340	• Valve	1
23	3310-41410	Bearing	1	65	1148-81390	• Ring	1
24	3378-42000	Crankshaft comp.	1	66	1491-81160	• Spring	1
25	06030-06201	Bearing	2	67	2609-81170	• Needle	1
26	1650-21220	Seal	1	68	3080-81320	• Spring	1
27	04065-03212	Ring	1	69	2609-81330	• Needle	1
28	2169-21210	Seal	1	70	3310-81351	• Screw	4
29	1260-43240	Key	1	71	2813-81460	• Shaft	1
30	1140-43231	Nut	1	72	2670-81450	• Valve	1
31	0290-20820	Washer	1	73	3350-81220	• Ball	1
32	01641-20812	Washer	1	74	3350-81350	• Spring	1
33	2609-51110	Hub	1	75	T2100-06020	• Gasket kit	1
34	3544-11510	Bolt	2	76	0260-10540	Screw	2
35	1145-43290	Washer	1	77	3378-85111	Mount	1
36	2609-51411	Bolt	1	78	3310-31720	Screw	4
37	3378-71110	Module	1				
38	2609-71210	Rotor	1				
39	1260-71261	Spacer	3				
40	1400-72111	Cap	1				
41	1400-72121	Spring	1				
42	3699-90032-10	Spark plug	1				
43	3310-72150	Bolt	3				
44	2609-81000	Carburetor assy (WT338)	1				
45	3306-81380	• Screen	1				