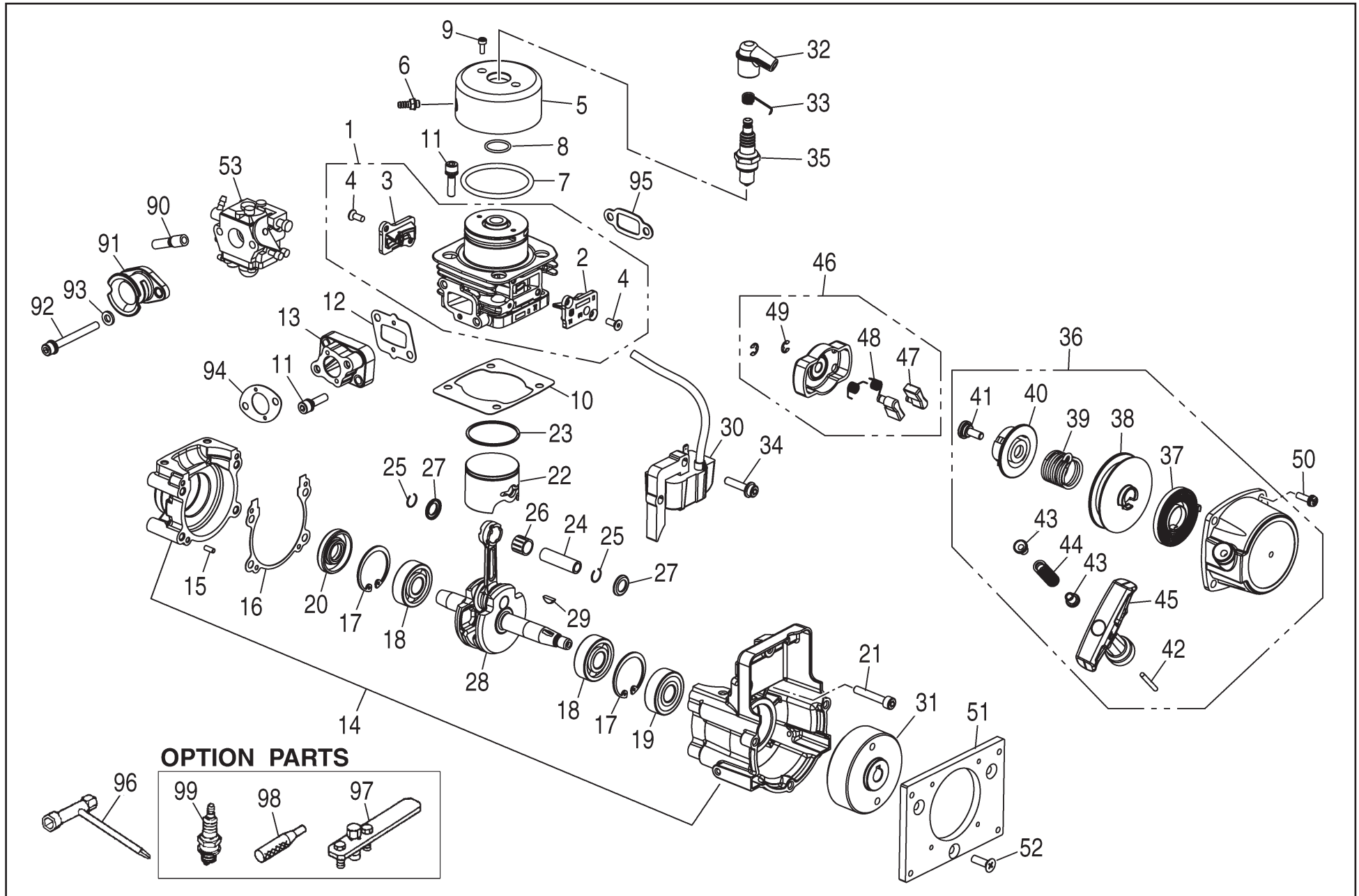


Parts List G320PUM (967289101)

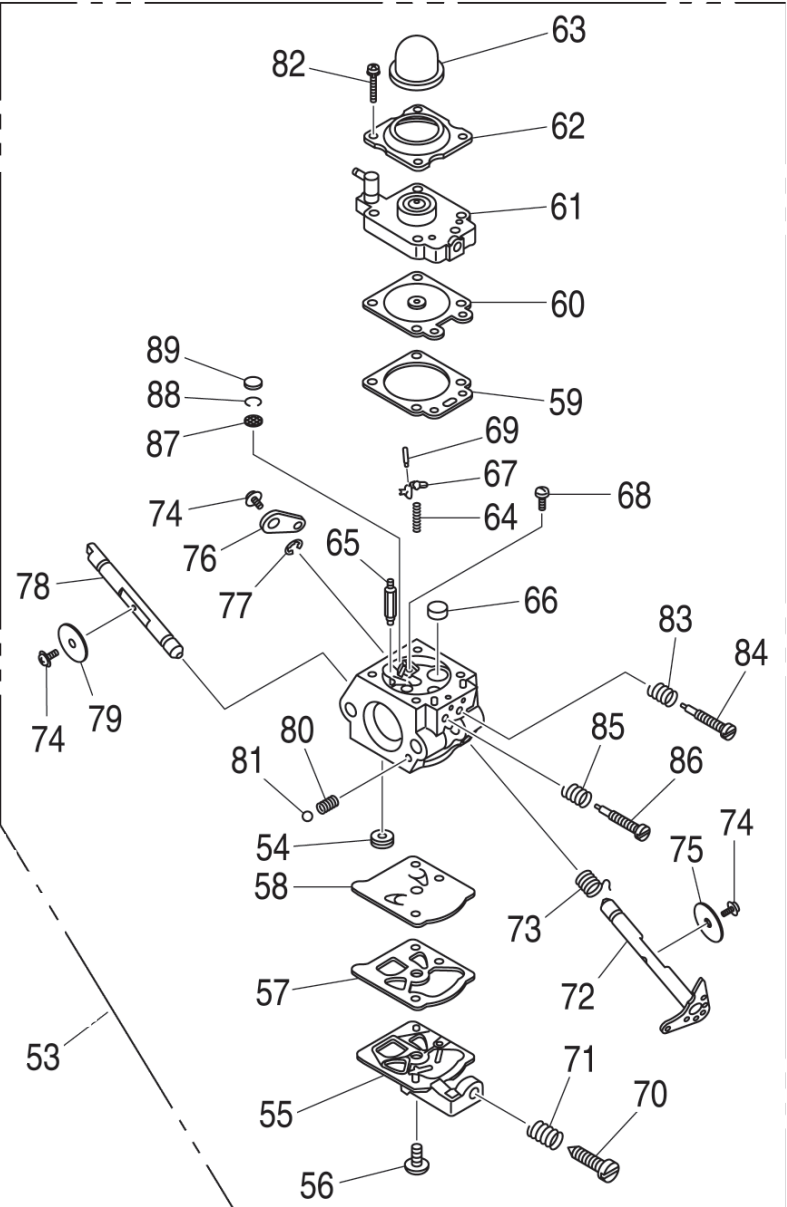


Parts List G320PUM (967289101)

KEY#	PART NUMBER	DESCRIPTION	Q'TY/ UNIT	REMARKS
1	585 87 83-01	CYLINDER-A	1	
2	585 72 72-01	• COVER, TR FLYWHEEL SIDE	1	
3	585 72 71-01	• COVER, TR CLUTCH SIDE	1	
4	585 81 59-01	• SCREW	4	M4x10L
5	585 87 85-01	JACKET	1	
6	07851-00515	JOINT	2	
7	585 87 86-01	O-RING	1	3.5x45
8	T2076-12320	O-RING	1	1.5x15.5
9	1160-12330	BOLT	2	M3x8L
10	585 22 48-01	GASKET, BASE	1	
11	3310-12281	BOLT	6	M5x20L
12	585 81 61-01	GASKET, INSULATOR	1	
13	585 72 70-01	INSULATOR	1	
14	588 53 14-01	CRANKCASE, COMP	1	
15	2629-21130	• PIN	3	
16	585 22 47-01	GASKET, CASE	1	
17	04065-03212	SNAP RING	2	
18	2850-21240	BEARING	2	
19	588 25 79-01	BEARING	1	
20	1650-21220	SEAL	1	
21	01252-30530	BOLT	4	M5x30L
22	585 22 50-01	PISTON	1	
23	585 22 51-01	PISTON RING	1	
24	8488B93200	PISTON PIN	1	
25	3310-41320	SNAP RING	2	
26	587 08 46-01	BEARING	1	
27	1650-41510	WASHER	2	
28	588 22 33-01	CRANKSHAFT, COMP	1	
29	1000-43240	KEY	1	
30	586 09 77-01	IGNITION MODULE	1	
31	1155-71110	ROTOR	1	
32	T2075-72210	CAP	1	
33	1400-72121	SPRING	1	

KEY#	PART NUMBER	DESCRIPTION	Q'TY/ UNIT	REMARKS
34	1850-12130	BOLT	2	M5x22L
35	3699-91867	SPARK PLUG	1	CMR7H
36	596 98 11-01	STARTER, RECOIL-A	1	
37	1850-75130	• SPRING, SPIRAL	1	
38	574 42 66-01	• REEL	1	
39	848E4075G0	• SPRING	1	
40	574 42 65-01	• PLATE, CAM	1	
41	848E4075E0	• SCREW	1	
42	596 98 10-01	• ROPE	1	
43	T2041-75431	• COLLAR	2	
44	T2041-75440	• SPRING	1	
45	T2041-75420	• KNOB	1	
46	587 03 20-01	PULLEY-A	1	
47	848E4075R0	• RATCHET	2	
48	848E4075S0	• SPRING	2	
49	848E4075T0	• E-RING	2	
50	8488441400	SCREW	4	M4x12L
51	587 03 19-01	PLATE, MOUNT	1	
52	0262-10516	SCREW	3	M5x16L
53	585 72 76-01	CARBURETOR-A	1	
90	1000-03030	TUBE	1	
91	848ES08300	FUNNEL	1	
92	8488455000	BOLT	2	M5x55L
93	1142-83110	SPACER	2	
94	T2075-14120	GASKET	1	
95	1140-13141	GASKET	1	
96	T3039-91310	SOCKET WRENCH	1	
97	577 40 97-01	PULLER-A	1	OP
98	4810-96220	STOPPER	1	OP
99	3699-91975	SPARK PLUG (NGK CMR6H)	1	OP

Parts List G320PUM (967289101)

	KEY#	PART NUMBER	DESCRIPTION	Q'TY/ UNIT	REMARKS
	53	585 72 76-01	CARBURETOR-A	1	
	54	3306-81380	• SCREEN	1	
	55	3080-81120	• COVER	1	
	56	3310-81130	• SCREW	1	
	57	330-481140	• GASKET	1	
	58	1172-81150	• DIAPHRAGM	1	
	59	1751-81470	• GASKET	1	
	60	848HE081K0	• DIAPHRAGM	1	
	61	T2070-81210	• BODY-A	1	
	62	1751-81520	• COVER	1	
	63	1751-81510	• PUMP	1	
	64	2867-81270	• SPRING	1	
	65	3356-81310	• VALVE inlet	1	
	66	1480-81420	• PLUG welch	1	
	67	3310-81230	• LEVER	1	
	68	3310-81240	• SCREW	1	
	69	3310-81250	• PIN	1	
	70	2630-81330	• SCREW	1	
	71	3350-81380	• SPRING	1	
	72	T2070-81370	• SHAFT	1	
	73	2670-81410	• SPRING throttle	1	
	74	2880-81470	• SCREW	3	
	75	3310-81340	• VALVE throttle	1	
	76	1790-81440	• LEVER throttle	1	
	77	1148-81390	• RING	1	
	78	T2070-81460	• SHAFT choke	1	
	79	2670-81450	• VALVE choke	1	
	80	3350-81350	• SPRING	1	
	81	3350-81220	• BALL	1	
	82	1148-81530	• SCREW	4	
	83	1491-81160	• SPRING	1	
	84	T2070-81170	• NEEDLE low speed	1	
	85	3080-81320	• SPRING	1	
	86	T2070-81331	• NEEDLE high speed	1	
	87	3304-81450	• SCREEN	1	
	88	3304-81441	• RING	1	
	89	3360-81440	• PLUG	1	