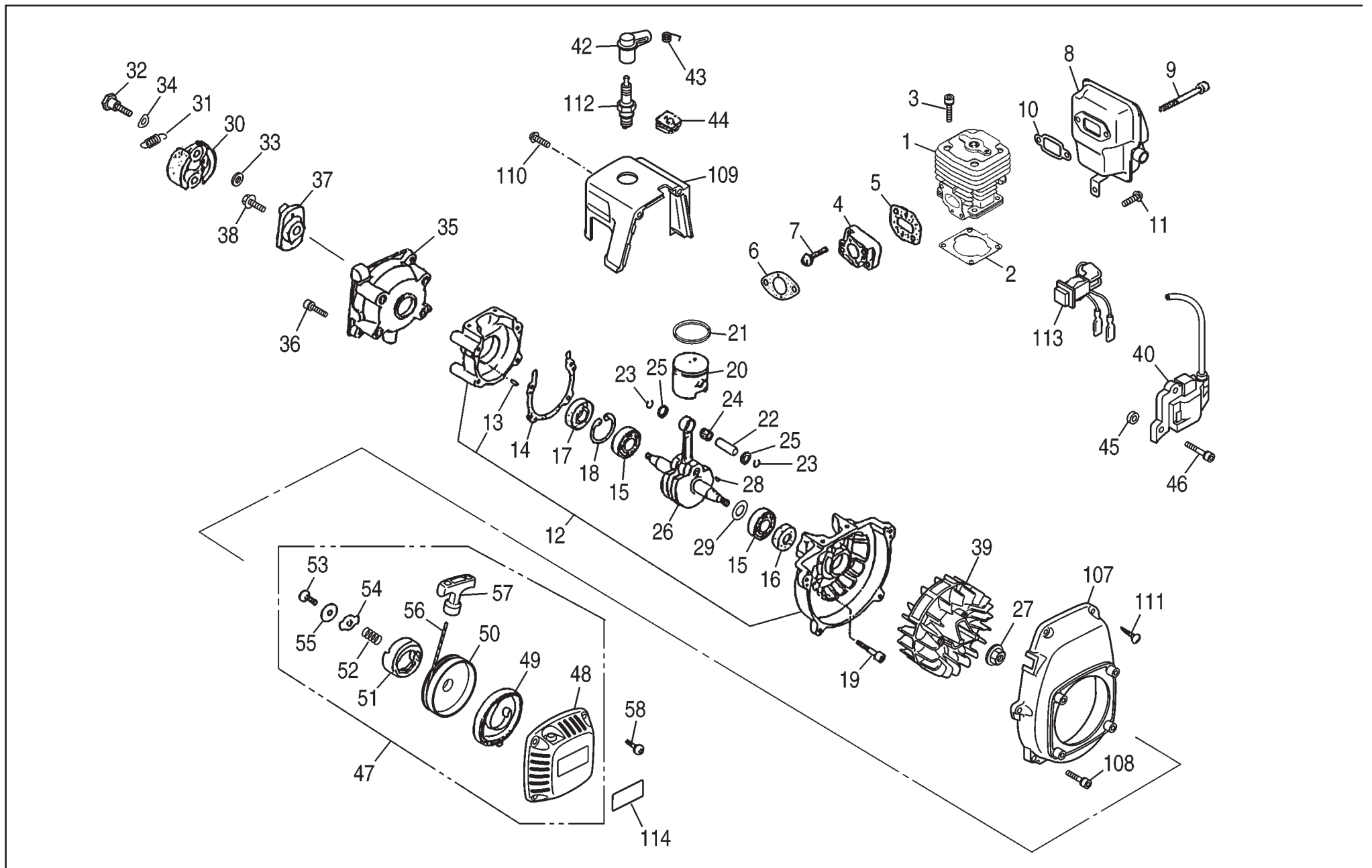
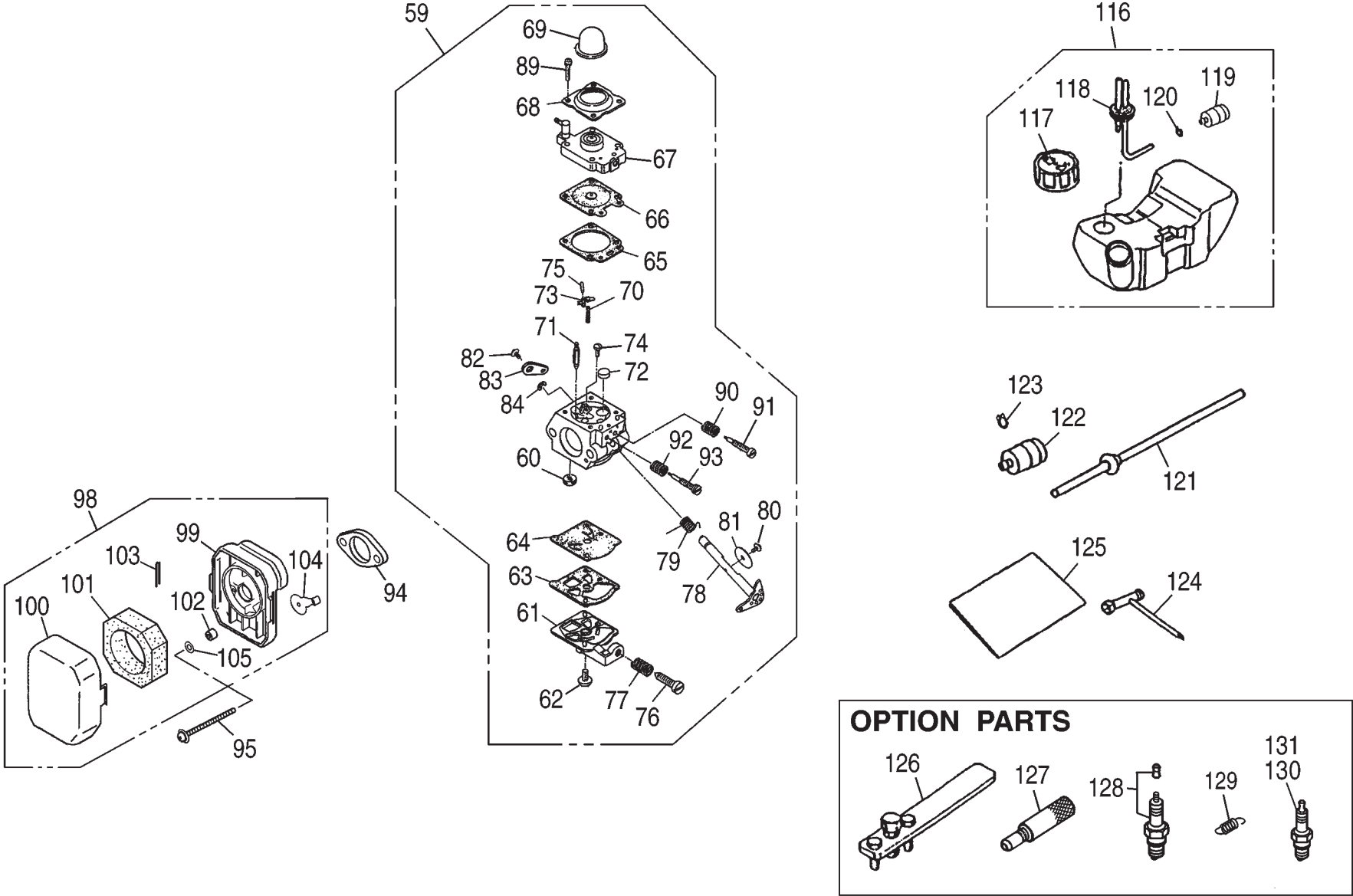


# PARTS LIST G270RC (X374326111)



# G270RC (X374326111)



# PARTS LIST G270RC (X374326111)

KEY#	PART NUMBER	DESCRIPTION	Q'TY/ UNIT	REMARKS	KEY#	PART NUMBER	DESCRIPTION	Q'TY/ UNIT	REMARKS
1	848ET812A0	CYLINDER	1		35	1140-21162	CASE, CLUTCH	1	
2	579 24 83-01	GASKET, CYL	1		36	3350-15250	BOLT	4	M5x16L
3	3310-12281	BOLT	4	M5x20L	37	1140-55310	PLATE	1	
4	1148-13162	INSULATOR	1		38	0224-30614	BOLT	1	M6x14L
5	848ER814B0	GASKET, INSU	1		39	T2070-71110	ROTOR	1	
6	T2075-14120	GASKET, CARB	1		40	T2070-71200	COIL-A	1	
7	3310-12281	BOLT	2	M5x20L	42	T2075-72210	CAP	1	
8	T2070-15110	MUFFLER	1		43	1400-72121	SPRING	1	
9	01252-30550	BOLT	2	M5x50L	44	5500-72130	GROMMET	1	
10	1140-13141	GASKET, MUFFLER	1		45	1260-71261	SPACER	2	
11	1850-32160	SCREW	1	M4x12L	46	3350-14150	BOLT	2	M4x20L
12	848ER82110	CRANKCASE-C	1		47	T2070-75101	RECOIL-A	1	
13	2629-21130	• PIN	3		48	T2070-75110	• CASE	1	
14	5500-21141	GASKET, CASE	1		49	5990-75120	• SPRING, SPIRAL	1	
15	1155-21240	BEARING	2		50	5990-75131	• REEL	1	
16	2169-21210	SEAL	1		51	5990-75141	• RATCHET	1	
17	06034-06001	BEARING	1		52	5990-75151	• SPRING, BREAK	1	
18	04065-02812	RING	1		53	5990-75270	• SCREW	1	
19	01252-30530	BOLT	4	M5x30L	54	5990-75160	• RETAINER	1	
20	T2088-41110	PISTON	1		55	5990-75170	• WASHER	1	
21	T2088-41210	RING	1		56	1861-75180	• ROPE	1	
22	1600-41310	PIN	1		57	1490-75181	• KNOB	1	
23	1260-41320	RING	2		58	0263-90416	SCREW	4	M4x16L
24	5500-41410	BEARING	1		59	575 65 50-01	CARBURETOR-A	1	WT-990
25	1101-41340	WASHER	2		60	3306-81380	• SCREEN	1	
26	T2070-42001	CRANKSHAFT-C	1		61	3080-81120	• COVER	1	
27	1650-43230	NUT	1	M8x1.0	62	3310-81130	• SCREW	1	
28	1000-43240	KEY	1		63	3304-81140	• GASKET	1	
29	1140-43250	SIM	1		64	1172-81150	• DIAPHRAGM	1	
30	1140-51111	SHOE	2		65	1751-81470	• GASKET	1	
31	T2070-51220	SPRING (6000rpm IN)	1		66	3310-81260	• DIAPHRAGM	1	
32	1140-51250	SCREW	2	M6x22L	67	T2070-81210	• BODY-A	1	
33	1140-51230	WASHER	2		68	1751-81520	• COVER	1	
34	1140-51242	WASHER	2						

## G270RC (X374326111)

KEY#	PART NUMBER	DESCRIPTION	Q'TY/ UNIT	REMARKS	KEY#	PART NUMBER	DESCRIPTION	Q'TY/ UNIT	REMARKS
69	1751-81510	• PUMP	1		107	T2070-31111	COVER, FAN	1	
70	2867-81270	• SPRING	1		108	3310-12281	BOLT	4	M5x20L
71	3356-81310	• VALVE inlet	1		109	576 87 19-01	COVER-A	1	
72	1480-81420	• PLUG welch	1		110	1850-32160	SCREW	1	M4x12L
73	3310-81230	• LEVER	1		111	1900-31410	SCREW	2	TP4.5x18L
74	3310-81240	• SCREW	1		112	3699-91867	SPARKPLUG NGK CMR7H	1	
75	3310-81250	• PIN	1		113	T2070-72200	SWITCH-A	1	
76	2630-81330	• SCREW	1		114	848ET890C0	LABEL, RECOIL	1	
77	3350-81380	• SPRING	1						
78	T2070-81370	• SHAFT throttle	1		116	1726-85004	TANK-A	1	OP
79	2670-81410	• SPRING	1		117	5601-85201	• CAP-A	1	OP
80	2880-81470	• SCREW	1		118	1726-85601	• PIPE COMP	1	OP
81	3310-81340	• VALVE throttle	1		119	5500-85400	• FILTER	1	OP
82	2880-81470	• SCREW	1		120	1260-85460	• CLIP	1	OP
83	1790-81440	• LEVER throttle	1		121	1799-85400	PIPE COMP	1	
84	1148-81390	• RING	1		122	5500-85400	FILTER	1	
					123	1260-85460	CLIP	1	
89	1148-81530	• SCREW	4		124	T3039-91310	SOCKET	1	
90	1491-81160	• SPRING	1		125	115 39 20-26	MANUAL	1	
91	1148-81171	• NEEDLE low speed	1		126	2890-96100	PULLER-A	1	OP
92	3080-81320	• SPRING	1		127	4810-96220	STOPPER	1	OP
93	T2070-81330	• NEEDLE high speed	1		128	848ETZ71T0	SPARKPLUG	1	OP
94	T2070-82510	SPACER	1				NGK CR8HIX with Terminal Nut		
95	0263-90560	SCREW	2	M5x60L					
					129	1764-51220	SPRING (5000rpm IN)	1	OP
98	848ER88300	CLEANER-A	1		130	3699-91975	SPARKPLUGNGK CMR6H	1	OP
99	T1000-82110	• HOUSING	1		131	3699-91809	SPARKPLUG Champion RZ7C	1	OP
100	5730-82040	• COVER	1						
101	1751-82020	• FILTER	1						
102	5730-82060	• SLEEVE	2						
103	848EP183Y0	• CLIP	1						
104	848ER883C0	• VALVE	1						
105	1918-82160	• WASHER	1						